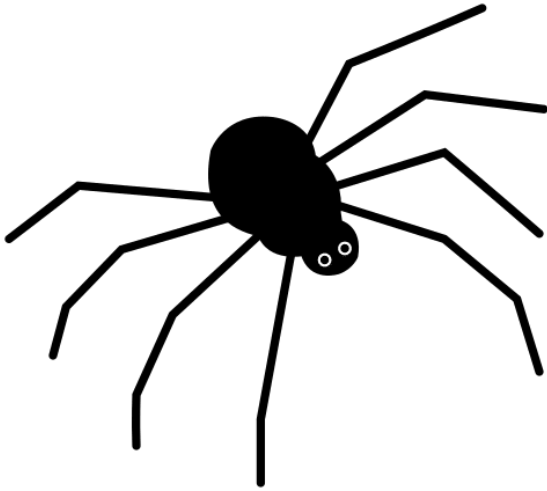
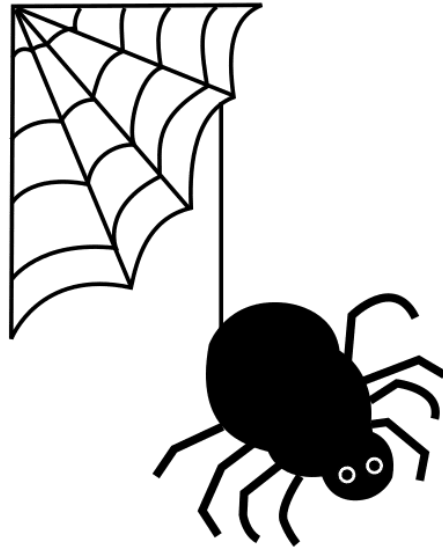


hämä hämähäkki



kiipes langalle



tuli sade rankka



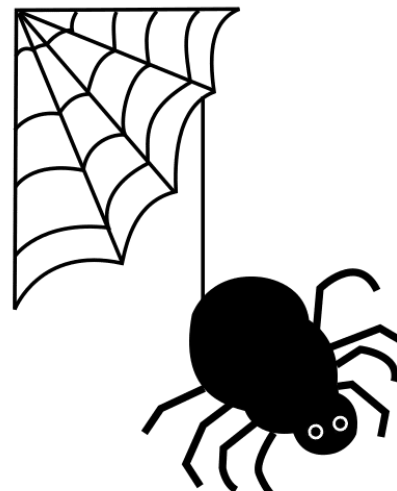
hämähäkin vei



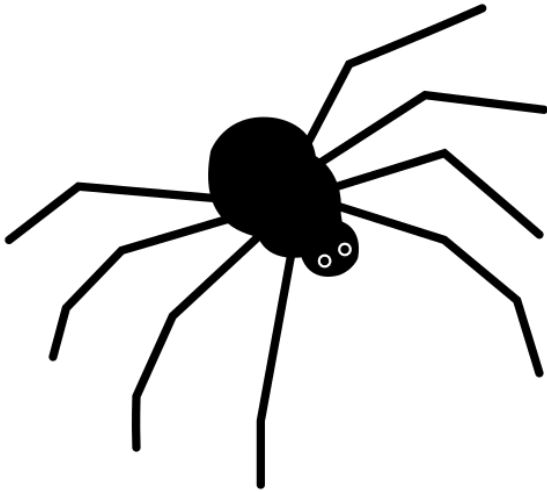
aurinko armas kuivas
satehen



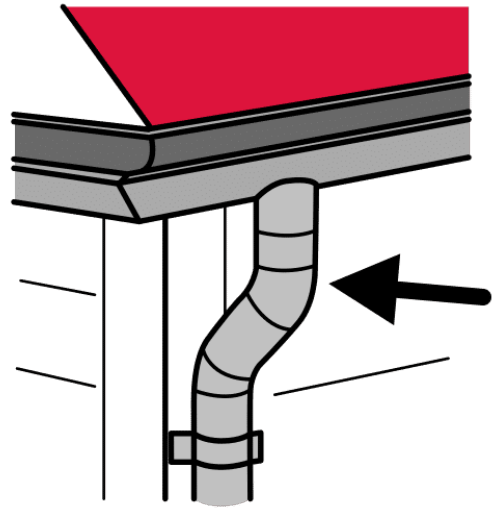
hämä hämähäkki kiipes
uudelleen



the itsy bitsy spider



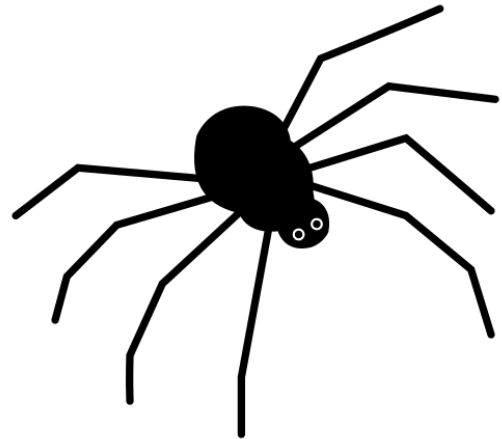
crawled up the water
spout



Down came the rain



and washed the spider
out



out came the sun and
dried up all the rain



and the itsy bitsy spider
went up the spout again

